

David Spooner Consulting

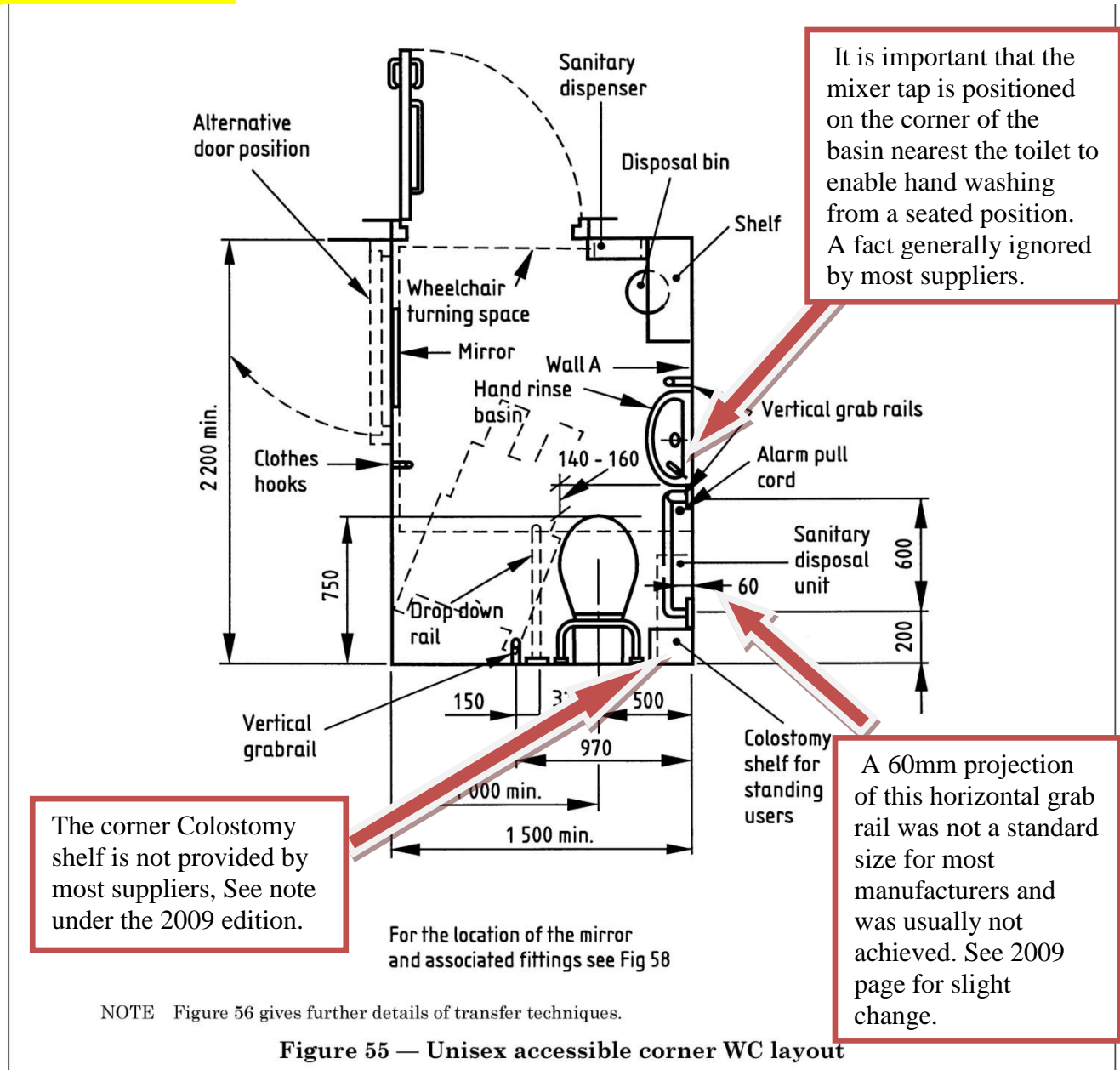
# **BS8300 - 2009**

**A review of the changes from  
BS8300-2001 to BS8300-2009 with reasoning and  
product specification suggestions**

..



09



When more than one unisex accessible corner WC is planned, a choice of layouts suitable for left hand and right hand transfer should be provided, preferably with the handing indicated by a touch legible pictogram.

NOTE 1 For multi-storey buildings, a corner WC layout provides a choice of transfer options.

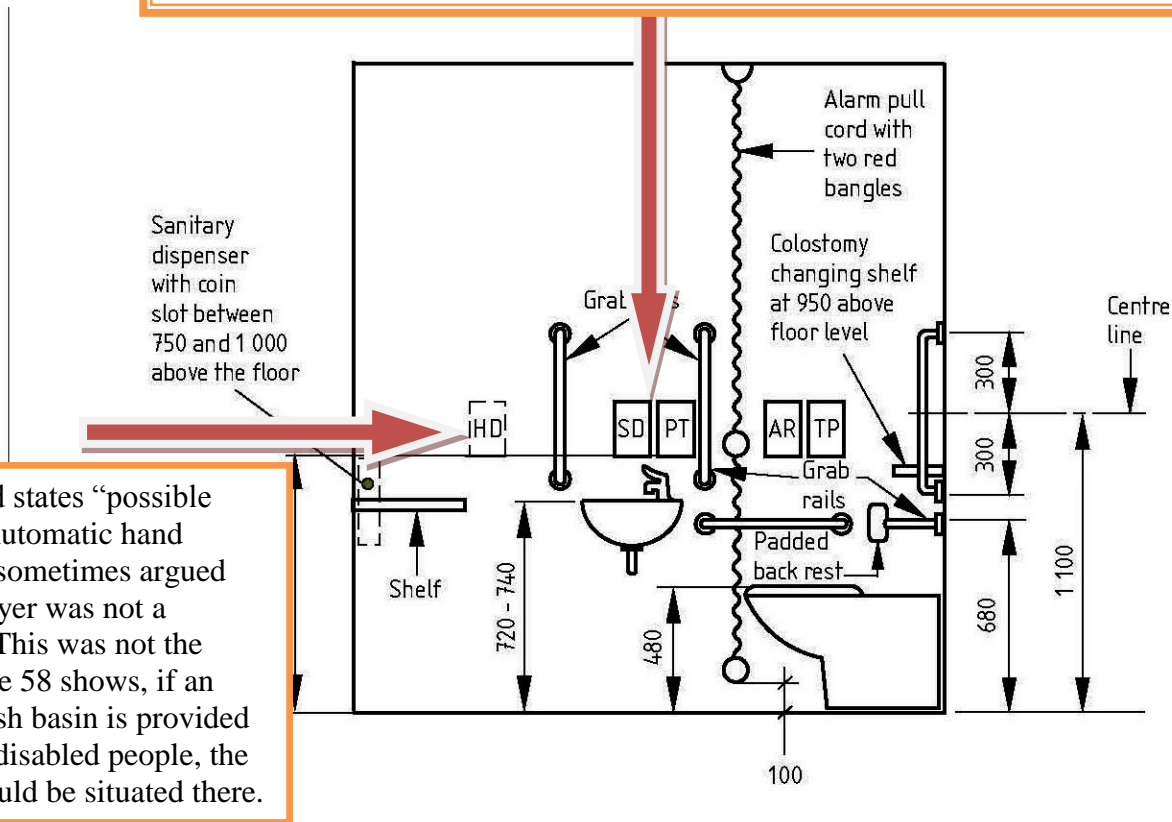
The wash basin within a WC compartment should be set with the rim height at 720 mm to 740 mm above the floor (see Figure 57) to allow use for hand washing by people standing as well as seated.

NOTE 2 The wash basin next to the WC can be at a lower level for use from the WC, provided there is a separate wash basin for ambulant disabled people to use (see Figure 58).

NOTE 3 Where trained assistance is available, the use of adjustable height wash basins can accommodate a greater range of people.

Building services and sanitary fixtures should not impinge on the space required for manoeuvring wheelchairs.

In this old drawing the Soap and Paper towel dispensers did not portray the actual sizes of real products. This has been corrected in the 2009 drawing



As the legend states “possible position for Automatic hand dryer” it was sometimes argued that a hand dryer was not a requirement. This was not the case. As figure 58 shows, if an additional wash basin is provided for ambulant disabled people, the hand dryer could be situated there.

- HD. Possible position for automatic hand dryer (see also figure 58)
  - S.D Soap dispenser
  - PT. Paper towel dispenser
  - AR. Alarm reset button
  - TP Toilet paper dispenser
- Height of drop down rails to be the same as the other horizontal grab rails

**Figure 57 — Heights of fittings and fixtures on wall “A” for corner WC layout**

**12.4.3.3 WC compartment accessible by ambulant disabled people**

The minimum clear overall dimensions of a WC compartment accessible by ambulant disabled people, including the location of essential facilities, should be as shown in Figure 60.

**12.4.3.4 WC pan and cistern**

Where possible, a wall mounted WC pan should be provided to allow closer access by wheelchair users, and to enable feet and footrests to move under the WC pan rim when the wheelchair is turned.

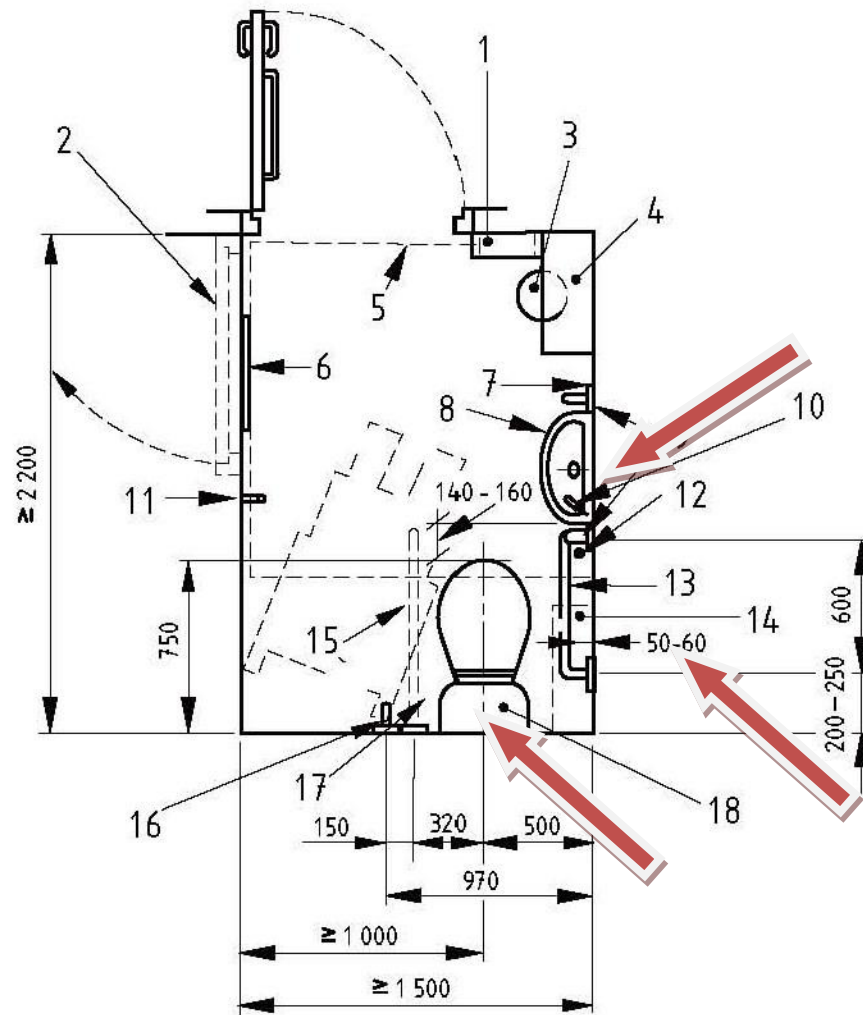
Where possible, the flush should be operated by a spatula type lever or a chain pull.

In a corner WC arrangement, the flushing mechanism should be positioned on the open or transfer side of the pan for ease of access.

NOTE 1 This applies irrespective of whether the cistern is external or located within a duct. Care is needed in the selection of a cistern, as not all cisterns can be handed.

NOTE 2 Where a low level cistern is located in a duct, it is possible to provide a horizontal grab rail (with a back rest) at the rear of the WC pan to aid transfer. With an external low level cistern, it is not possible to fit such a grab rail, but some exposed cisterns are designed for use as a support for transfer.

Figure 51 Unisex accessible corner WC layouts  
Dimensions in millimetres



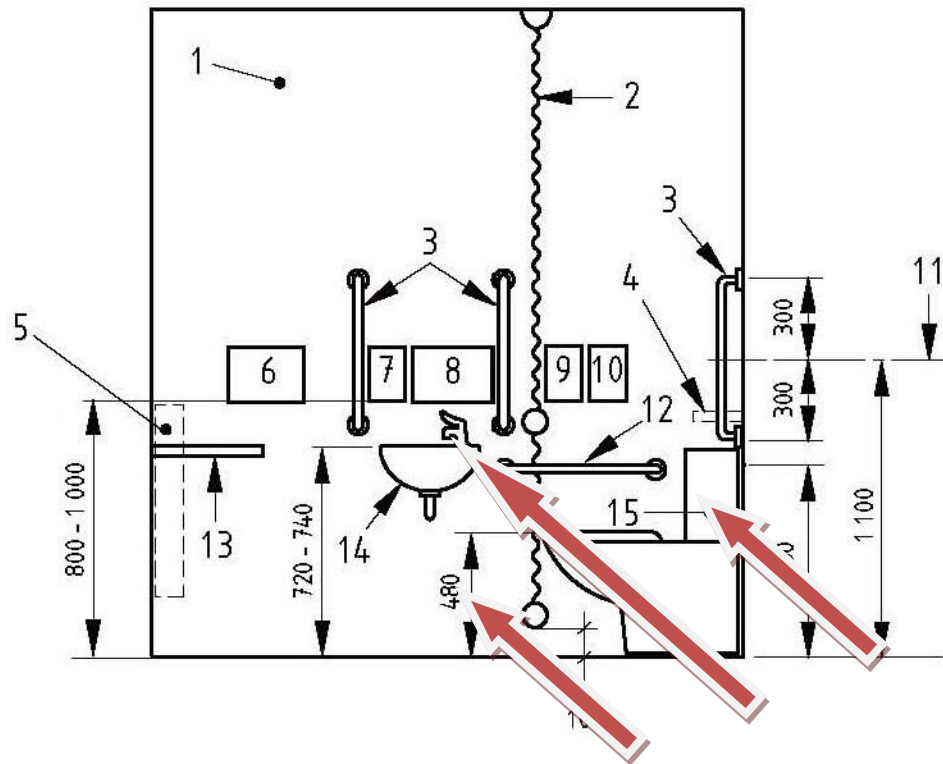
a) Unisex WC where other toilet accommodation is available

**Key to Figure 51a)**

- |  |   |
|--|---|
| 1 Sanitary dispenser   | 12 Alarm pull cord  |
| 2 Alternative door position  | 13 Horizontal grab rail   |
| 3 Disposal bin   | 14 Sanitary disposal unit   |
| 4 Shelf  | 15 Drop-down support rail   |
| 5 Wheelchair turning space<br>(1 500 × 1 500) mm                                   | 16 Vertical grab rail   |
| 6 Long mirror  | 17 Flush mechanism on this side of WC pan   |
| 7 Wall A (see Figure 52)   | 18 Flat-topped close-coupled cistern providing a back rest and a<br>colostomy changing surface for standing users (where high or<br>low level cisterns are used, a rail with a padded back rest and<br>a separate colostomy changing shelf 125 mm to 150 mm deep<br>and preferably 400 mm wide, with its surface 950 mm above<br>floor level, should be provided) |
| 8 Hand rinse basin   |   |
| 9 Vertical grab rails  |   |
| 10 Tap on side of basin nearest to WC  |   |
| 11 Two clothes hooks, one at 1 050 mm and<br>the other at 1 400 mm above the floor |   |

For part b) of this figure, and the accompanying notes, please see overleaf.

Figure 52 Heights of fixtures and fittings for corner WC layout  
Dimensions in millimetres



Height of drop-down support rails to be the same as the other horizontal grab rails.

#### Key

- 1 Wall A (see Figure 51)
- 2 Alarm pull cord with two red bangles
- 3 Vertical grab rails (those above the hand rise basin should be set 500 mm to 700 mm apart centred on the basin)
- 4 Colostomy changing shelf at 950 mm above floor level, where a high or low level cistern is used
- 5 Sanitary dispenser, on wall adjacent to door, with coin slot between 750 mm and 1 000 mm above the floor
- 6 Automatic hand dryer
- 7 Soap dispenser
- 8 Paper towel dispenser
- 9 Toilet paper dispenser
- 10 Alarm reset button
- 11 Centre line of vertical grab rails
- 12 Horizontal grab rail
- 13 Shelf
- 14 Hand rinse basin with tap on side of basin close to the WC pan
- 15 Flat-topped close-coupled cistern providing a back rest and a colostomy changing surface for standing users (where high or low level cisterns are used, a rail with a padded back rest should be provided)

Figure 53 Location of independent mirrors, accessories and washbasins  
Dimensions in millimetres

